

SPIDER 20.95

SELF-PROPELLED TRACKED VEHICLES

EN



PL / **TFORM**
B A S K E T

RAISING THE STANDARD

Made in Italy



SERIES SPIDER 20.95

Technology and performance that do not fear comparison

- Ultra-light and easy to transport with trailers
- 250 kg capacity in the basket without outreach restrictions
- Excellent obstacle clearance height
- Standard configuration equipped with stabilization and automatic reclosing device
- Versions for every need, Diesel, AC electric, with Lithium ion battery operation
- Remote Control for translation and emergency aerial controls

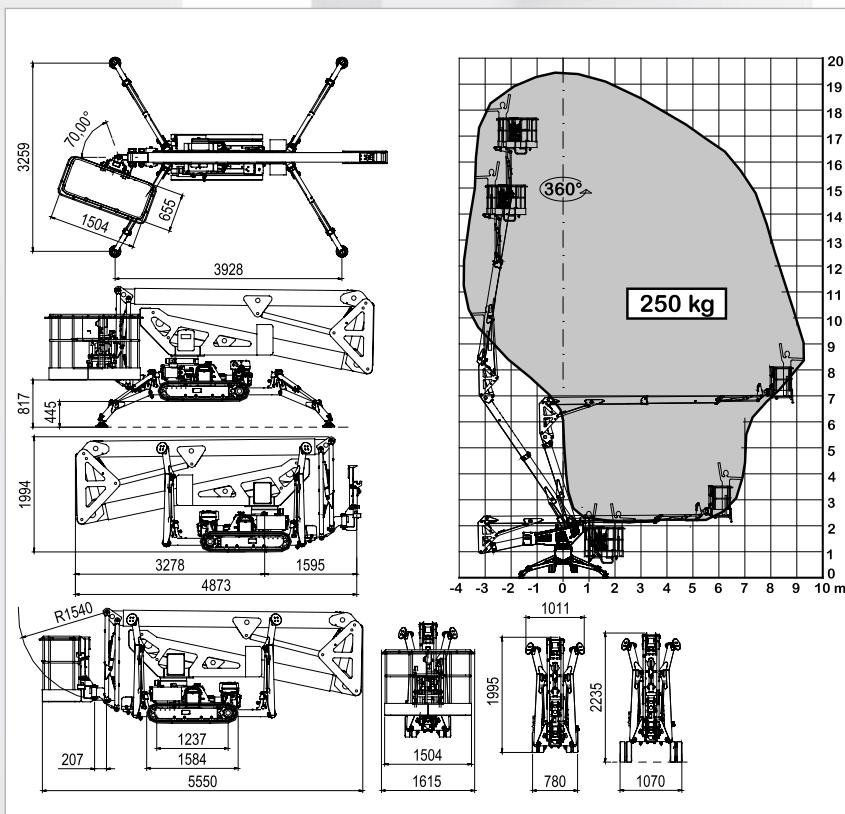
- Absence of pipes and cables outside the arms
- Optimal protection of all exposed parts at risk of falling objects
- Air/water and 230Vac lines available in the basket
- Proportional and adjustable speed in translation and for aerial movements
- Display with operating diagnostics on board the platform



HYBRID VERSION



campbelltv.com 3119



TECHNICAL SPECIFICATIONS				
		STD	E	ED
Maximum working height	m		19,40	
Floor height	m		17,40	
Maximum side outreach	m		9,50	
Rotation angle of the tower	°		400	
Aluminium basket dimensions	m	1,50 x 0,70		
Basket rotation angle	°	90+90		
Maximum capacity of basket	Kg	250		
Length closed (basket disassembled)	m	5,55 (4,87)		
Minimum width closed	m	0,79		
Minimum height closed	m	1,99		
Overall dimensions Stabilization	m	3,25 x 3,92		
Maximum horizontal inclination	degrees/%	20° (36%)		
Maximum side inclination	degrees/%	17° (31%)		
Maximum speed	Km/h	1,5	0,8	1,5
WEIGHTS		STD	E	ED
Weight in work conditions*	Kg	2700*	2750*	2850*
Ground pressure stowed machine	KN/m²	2,94	3,21	3,36
Ground pressure when on stabilizers	KN/m²	1,91	2,09	2,09
Max point load on one stabilizer	KN	21	23	23
POWER		STD	E	ED
Honda iGX390 petrol engine	HP/rpm	12/3600	-	12/3600
Z482 Kubota diesel engine (optional)	HP/rpm	11/3200	-	11/3200
Electric motor 220 Vac	CV/KW	3 / 2,2	3 / 2,2	-
Electric Motor 24 Vdc	CV/KW	-	5,4/4,0	5,4/4,0
Traction battery capacity	Ah	-	200 400	150 200
Battery charger	Ah	-	45 100/50	45 100/50

* Subject to change depending on configuration.