

# SPX650

**MAX** 5000 kg

**max** 23,5 m with jib

**max** 20 m with jib



## Technical Information

Dimensions	L x W x H	4460 x 980 x 2020 mm
Stabilization Area		Pos. 1 2900 x 2900 mm
		Pos. 2 4500 x 4500 mm

Crane & Options Weights		Kg
	SPX650CL	5700
	Winch	80
	Pulley Block	20
	Outriggers Mats	30
	Tool Boxes	20
	Hydraulic Jib	480
	Runner Jib	50

SPX650		LITHIUM BATTERY	1 battery 48 V 400 Ah
--------	--	-----------------	-----------------------------

**Boom Length**  
4.0 - 15.4 m 36 sec.

**Rotation**  
360° / 1.0 rpm

**Working Angle**  
0° / 82° 35 sec.

**Max. Outrigger Load**

**MAX** 4800 kg

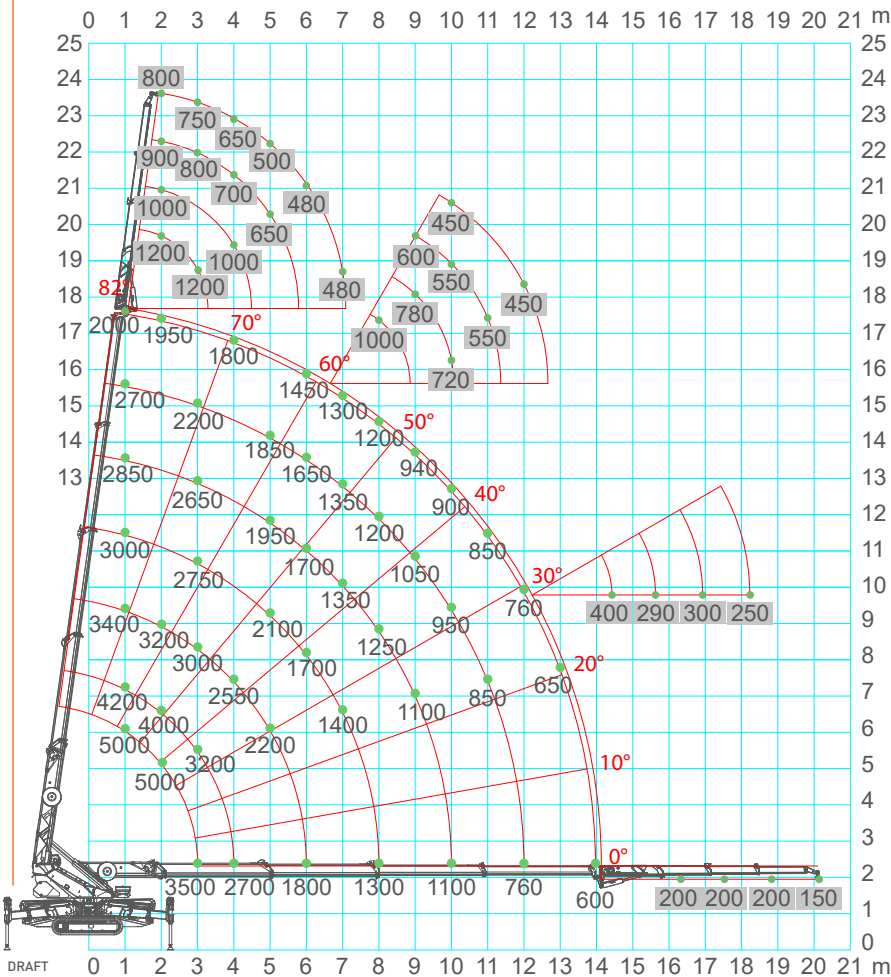
**Max. Track Load**

**MAX** 0.75 kg/cm<sup>2</sup>

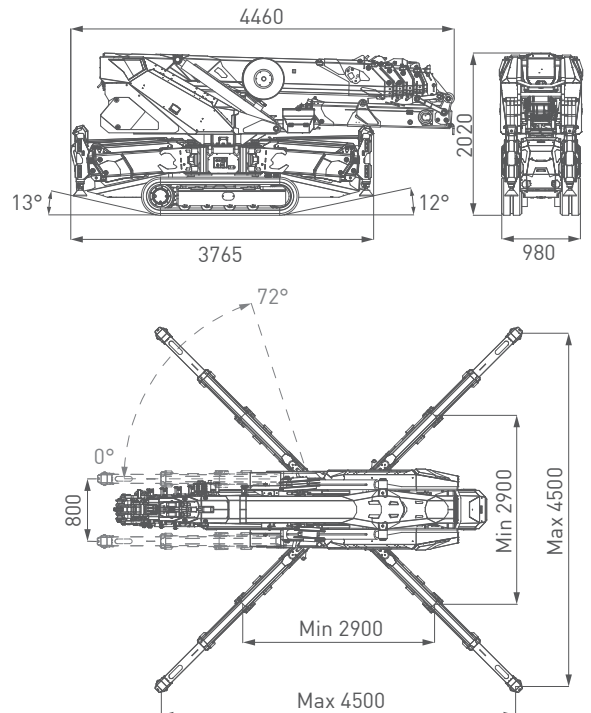


## Load Chart

000 Capacity with jib



## Dimensions



# SPX650 Main Features



## X-PATTERN OUTRIGGERS

With double extension and endless operating configurations.



## EXTENDABLE TRACKS

To enhance crane stability.



## HYDRAULIC JIB

1.2 ton hydraulic jib with rest position under the main boom.

## 8-LEVER MULTIFUNCTION RADIO REMOTE CONTROL

Every mini crane function can be directly activated from the operator's hands.

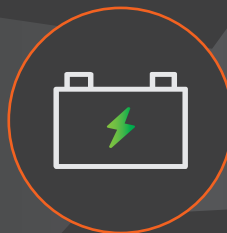


## HOOK OR WINCH MODE

On main boom and hydraulic jib.

## LITHIUM BATTERY

16 kW engine powered by lithium battery. Unchanged and constant performance even in case of intense use with heavy loads.



## 2 ton RUNNER JIB

Stored on board.

## ROTATION WITHIN THE REDUCED STABILIZATION AREA

2900x2900 mm



## HYDRAULIC SYSTEM

Electronically-operated supply system for smooth and accurate movements that increase the operator's feeling of control.

## PICK & CARRY



LEARN MORE ON OUR WEBSITE!

