

# SPX536

**max** 3600 kg

4145 x 1100 x 1960 mm

**max** 18.5 m  
with stinger

**max** 11.2 m  
with JIB800G

Whether it is a small job or a big construction site, the SPX536 is the mini crane par excellence: Reliable and safe, it adapts to any kind of job.



## Technical Information

Dimension	L x W x H	4145 x 1100 x 1960 mm
Stab. Area		4160 x 4160 mm

		Kg
Crane & Options Weights	SPX536CDH	3600
	/	
	4T-D8	60
	PP400-4D PP220-4D	40
	JIB800G	26
	JIB900.2H	210
	MR800.4	295
	JIB301GR	200
	JIB302GR	210

SPX536CDH Diesel Engine	KUBOTA D1105-E3B	18.5 kW 25 Hp
-------------------------	------------------	------------------

Speed		2 km/h
-------	--	--------

Gradeability		25°
--------------	--	-----

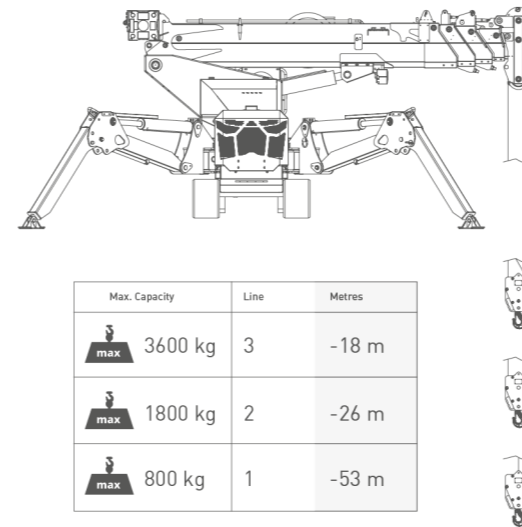


### Electric Power Pack

AUX	4 kW - 3F 400 VAC 50 Hz
AUX	4 kW - 1F 110 VAC 60 Hz

## Winch & Fall Stages

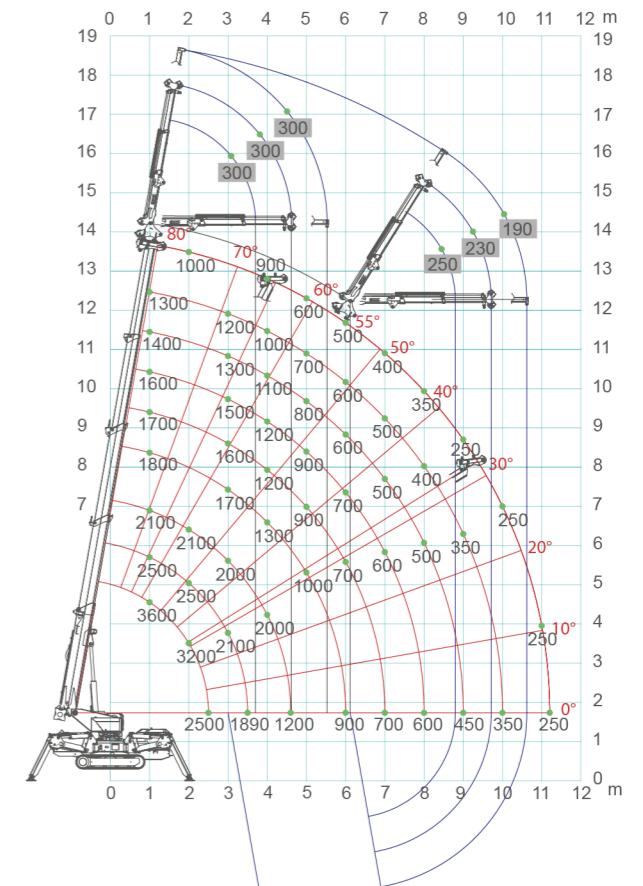
Main Winch	900 kg 60 m - Ø 8 mm 40,6 m/min.
------------	--



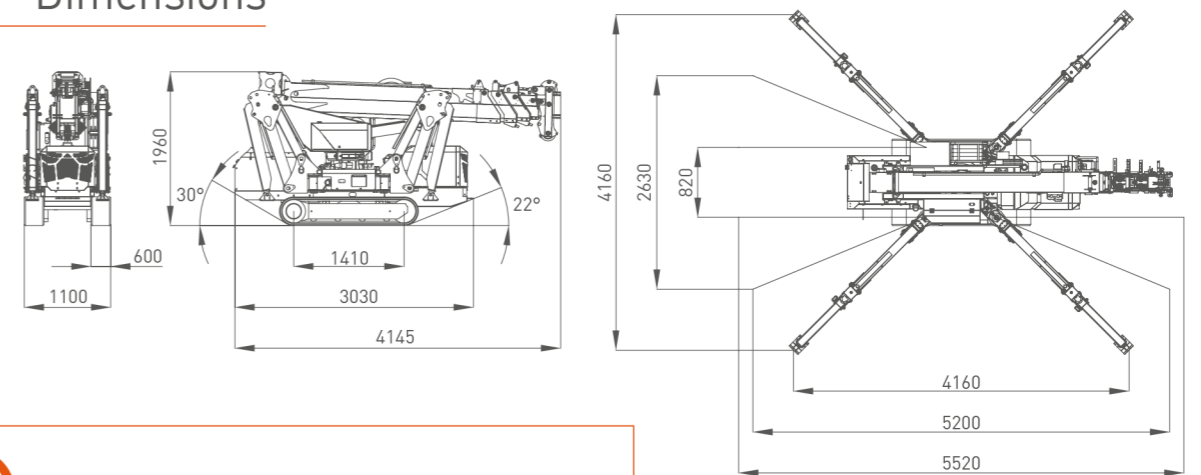
Max. Capacity	Line	Metres
<b>max</b> 3600 kg	3	-18 m
<b>max</b> 1800 kg	2	-26 m
<b>max</b> 800 kg	1	-53 m

## Load Chart

Capacity with jib (000) Pick&Carry



## Dimensions

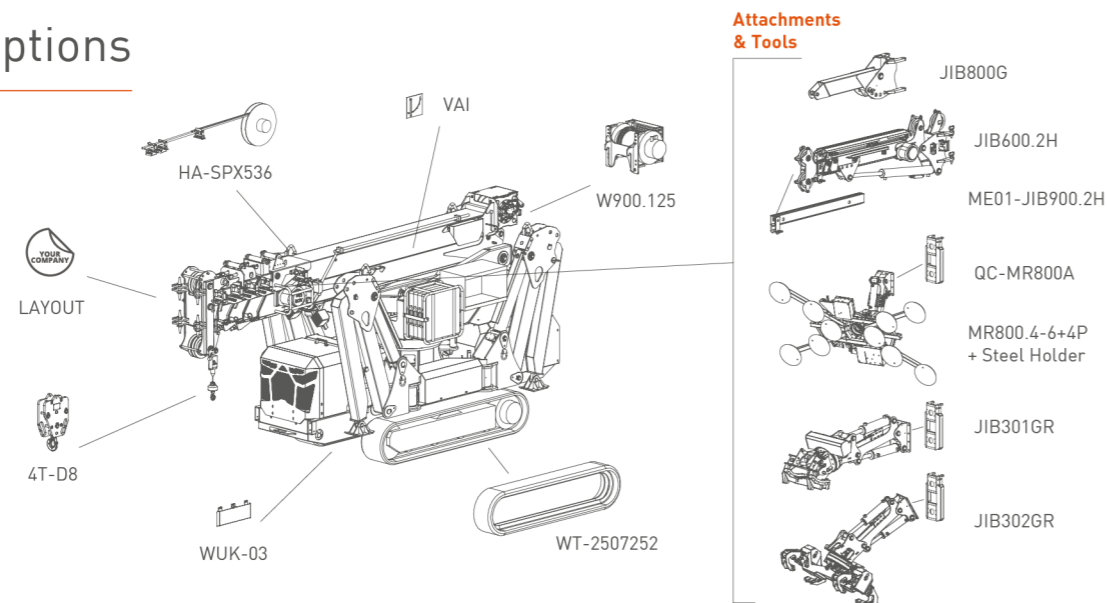


## Crane Options

### Electric Power Pack



### J-Connect



## Tools Configurations

	JIB800G	JIB900.2H*	MR800.4-6+4P	JIB301GR	JIB302GR
<b>max</b>	800 kg	600 kg	800 kg	300 kg	300 kg
<b>max</b>	800 kg @ 13.7m	500 kg @ 18.5 m	400 kg @ 14.2 m	300 kg @ 15.2 m	300 kg @ 15.2 m
<b>max</b>	250 kg @ 11.2 m	190 kg @ 10.5 m	150 kg @ 9 m	300 kg @ 8 m	300 kg @ 8 m

\* Manual extension (stinger) available

- A2B
- BPI
- CCI
- DTC
- EXT
- GSC
- LMI
- P&C
- PPA
- SCI
- TH
- VW
- RCD
- 2SW
- 2ST