



JEXKO
MINICRANE
SPX532



CJEXKO
SPX532

Product Catalog

SPX

SPX532

MAX 3200 kg

LxWxH 3120 x 770 x 1950 mm

max 17,3 m with jib

max 14,8 m with jib

The user-friendliest crane ever, featuring the most advanced stability system. A top level performance is ensured with this new generation mini crane.



Technical Information

Dimensions	LxWxH	3120 x 770 x 1950 mm
Stab. Area		4400 x 4400 mm

Crane & Options Weights		Kg
	SPX532CDH	2320
	/	200
	Multiple Fall	40
	JIB	200
	Manual Ext.	14
	Jib Pulley Head	8

SPX532	Diesel Engine	KUBOTA D902-E4B	16.1 kW 22 Hp
--------	---------------	-----------------	------------------

Speed		2.7 km/h (CDH)
-------	--	----------------

Ext. Tracks	Gradeability	20° (36%)
-------------	--------------	-----------

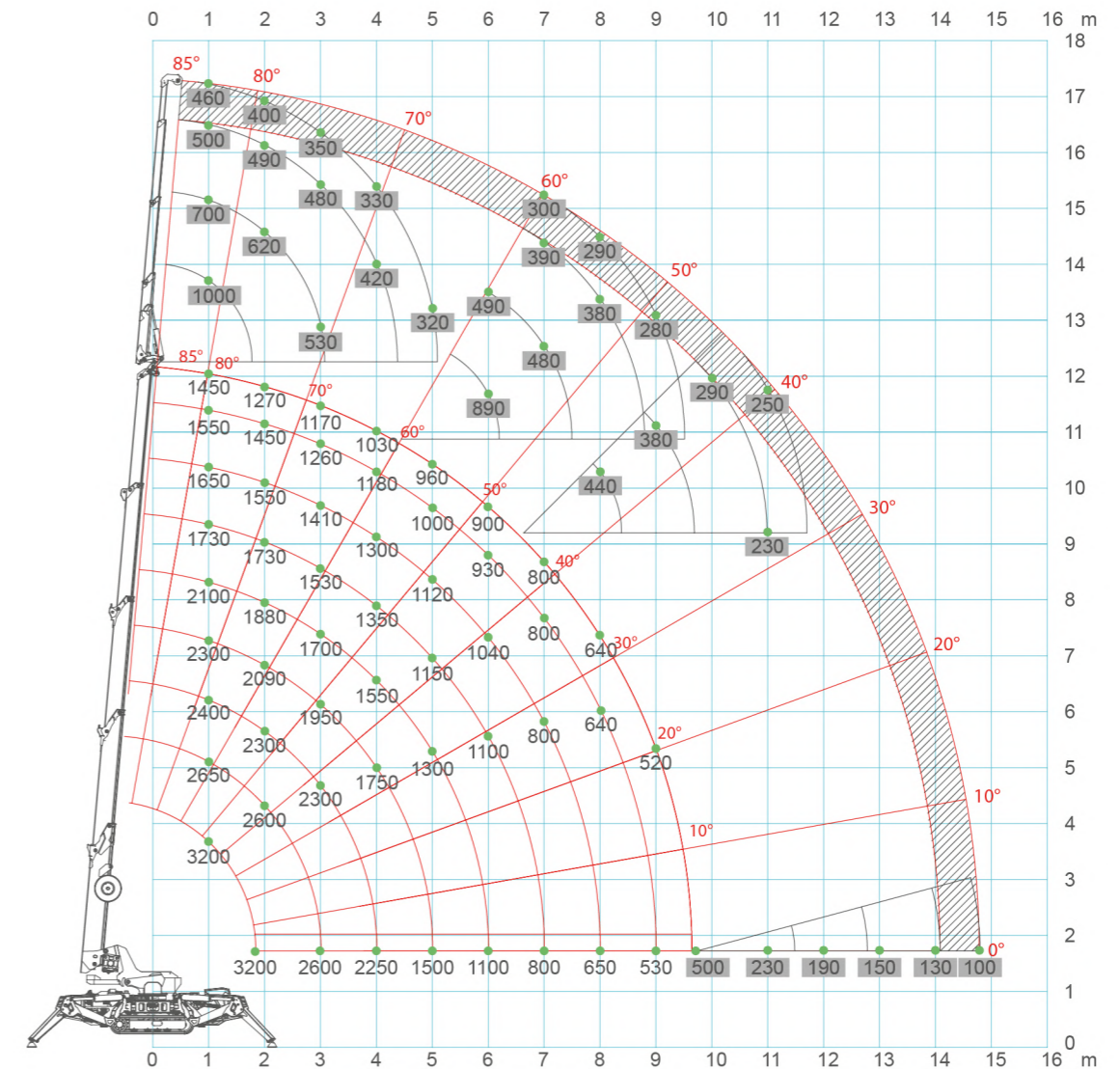
Ext. Tracks		770-1050 mm
-------------	--	-------------

Max. Track Load
11111 0.63 kg/cm²



Load Chart

000 Capacity with jib



Crane Options

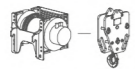
Lithium Battery Options



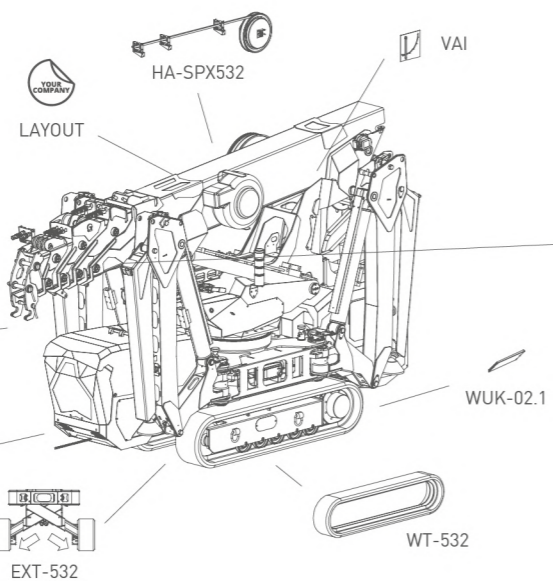
Electric Power Pack



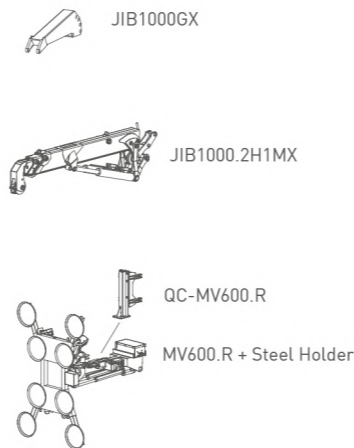
Battery Chargers



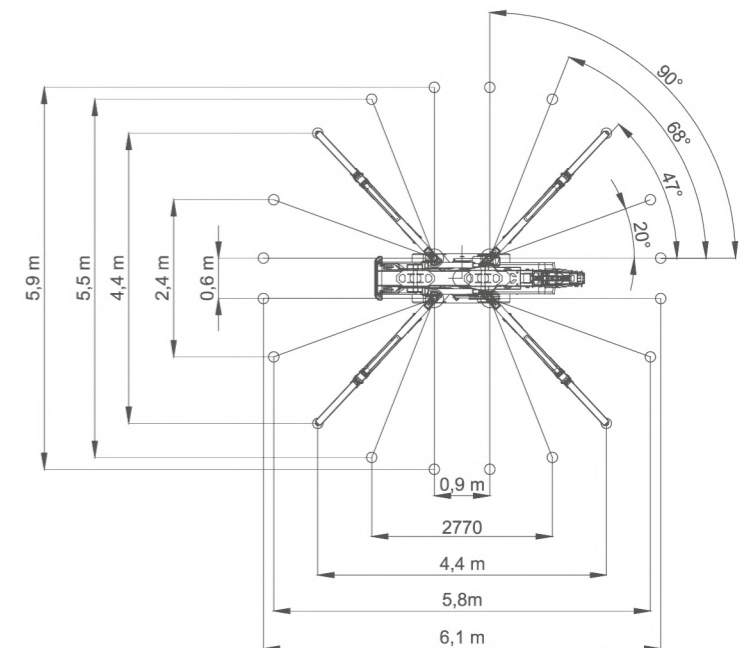
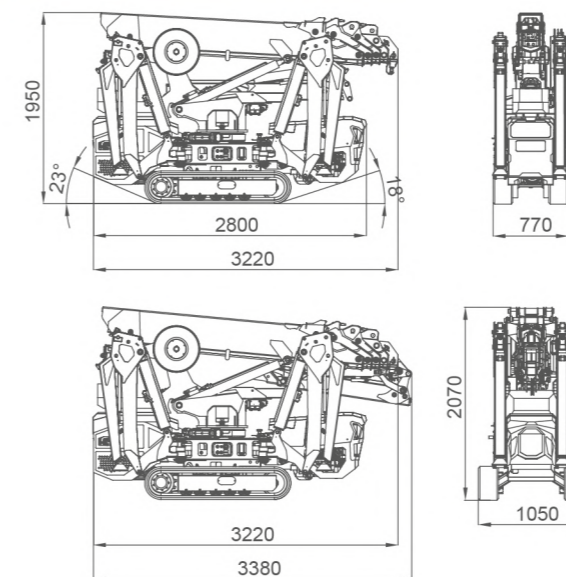
J-Connect



Attachments & Tools



Dimensions



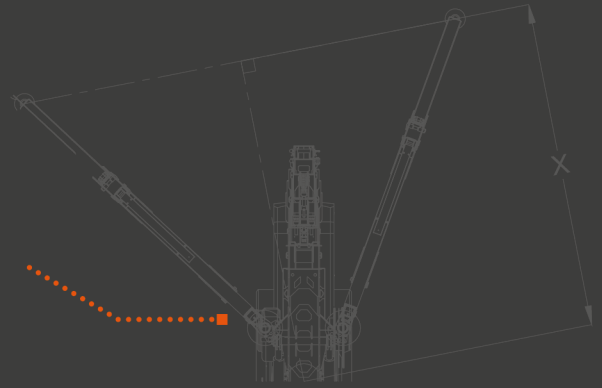
A NEW GENERATION OF MINI CRANES

SPX532 Main Features

THE BEST PERFORMING MINI CRANE IN ITS RANGE WITH A UNIQUE WEIGHT-DIMENSIONS-LIFTING CAPACITY RATIO.

INTUITIVE AND EFFECTIVE STABILIZATION SYSTEM

The outriggers can be opened **from 0° to 90°** creating infinite stabilization combinations. With **4 stabilization areas**, the crane can now work in conditions that would **have never been possible before**.



HYDRAULIC JIB - 1 ton

The Jib can be **easily installed** thanks to an **innovative attachment system** from a support inside the main column.

RADIO REMOTE-CONTROL

SPX532 features a **brand new radio remote-control** with a made in Jekko software that makes this crane extremely easy to use and **the user-friendliest crane ever**.



NEW HYDRAULIC SYSTEM

An improved hydraulic system allows the crane to work with more **fluid and precise movements**, giving a **better feeling to the operator**.

Selecting the proper configuration on the radio remote-control, the crane is able to **adapt to the job** that is being carried out, ensuring **greater efficiency and higher energy saving**.



Jekko srl

Via Campardone, 1 - 31014 Colle Umberto (TV) Italy
info@jekko.it - www.jekko-cranes.com