



SPX312

Product Catalog

SPX

SPX312

max 1200 kg

max 2790 x 770 x 1600 mm

max 10.9 m

max 9.5 m

The proper mini crane:
compact, easily maneuverable and versatile.
The perfect solution for any indoor job or to work in skyscrapers all over the world.



Technical Information

Dimension	L x W x H	2790 x 770 x 1600 mm
Stab. Area		3700 x 3700 mm

Crane & Options Weights		Kg
	SPX312CP	1800
	SPX312C+	1800
	/	
	2T-D7	20
	PP400-4DX PP220-4DX PP220-2DX	45
	JIB800GX	20
	JIB400.1MX	60
	JIB400.1H	90
	MV600.3E+	180

SPX312CP	Petrol Engine	YAMAHA MZ 360	7.6 kW 10.4 Hp
SPX312C+	Standard or Lithium Battery	N.4 BATTERIES 6V, 240Ah	4.0 kW 5.5 Hp

Speed		1.7 km/h
Gradability		20°
Ext. Tracks		770-1065 mm

* SPX312H: for hydraulic jib



Electric Power Pack

4 kW - 3F
400 VAC 50 Hz

AUX
EU:
2 kW - 1F 220 VAC 50 Hz
USA/CANADA:
4 kW - 1F 110 VAC 60 Hz

Max. Track Load

0.44 kg/cm²

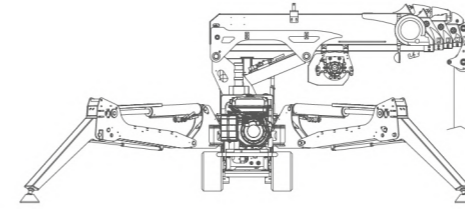
Max. Outrigger Load

MAX 1850 kg

Winch & Fall Stages

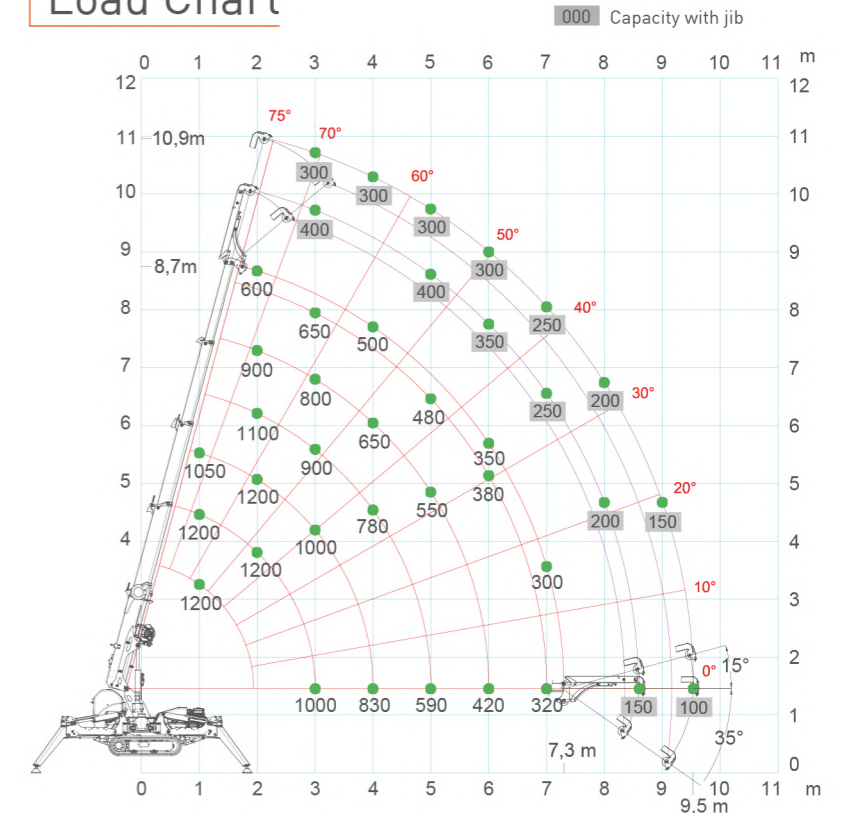
Main Winch

600 kg (Single line)
63 m - Ø 7 mm
15.1-31.8 m/min.

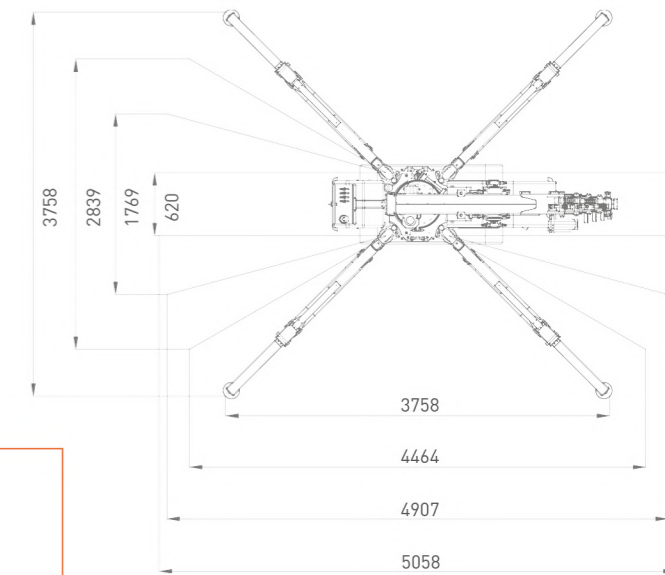
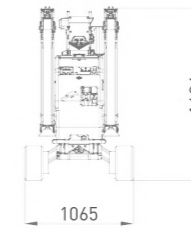
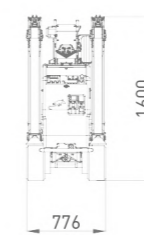
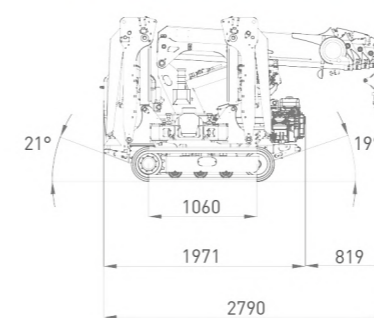


Max. Capacity	Line	Metres
max 1200 kg	2	-29 m
max 600 kg	1	-59 m

Load Chart



Dimensions



Crane Options

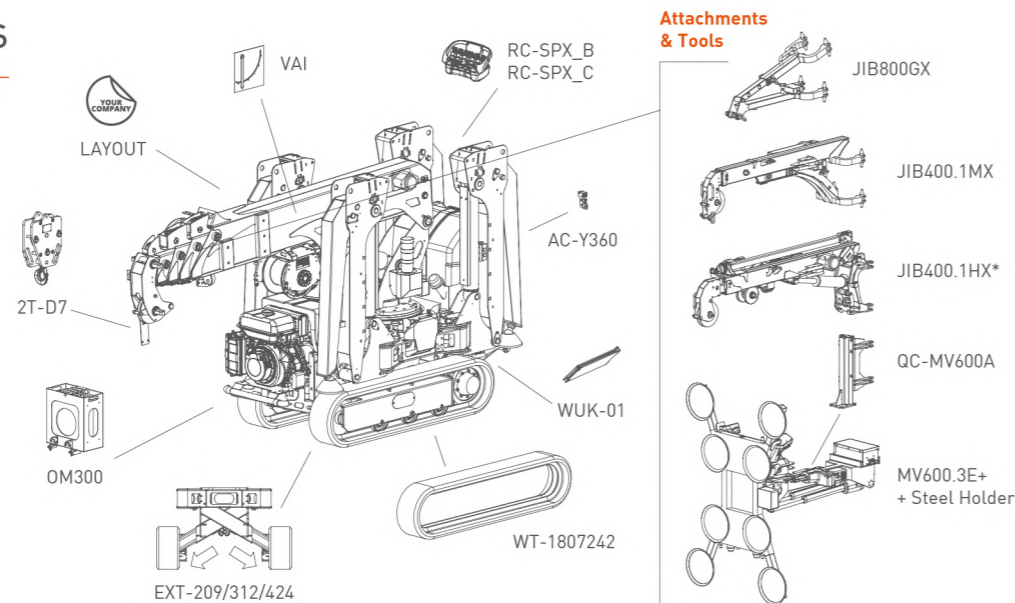
Battery Options



Battery Chargers



Electric Power Pack



- A2B
- BPI
- CCI
- DTC
- EXT
- GSC
- LMI
- P&C
- PPA
- SCI
- TH
- VW
- RCD
- 2SW
- 2ST

Tools Configurations

	JIB800GX	JIB400.1M & JIB400.1HX	MV600.3E+
max	800 kg	400 kg	600 kg
max	600 kg @ 9.3 m	300 kg @ 10.9 m	520 kg @ 9.3 m
max	200 kg @ 8 m	100 kg @ 9.5 m	100 kg @ 8.5 m

SPX312 Main Features

GEOMETRICAL STABILITY CONTROL

- ✓ Outriggers multi-position and angle
- ✓ Automatic load of working area
- ✓ Different working area:
 - Red - 0%
 - Grey - pick&carry
 - Yellow - 50%
 - Green - 100%



PLUG&PLAY SYSTEM CONTROL

All accessories and tools:

- ✓ Integrated with the crane
- ✓ Immediately recognized by the software
- ✓ With a single radio remote control (same of the crane)



DIFFERENT ATTACHMENTS

- ✓ Three different JIBS
- ✓ Different tools completely integrated and radio remote controlled: glass manipulator, pipe manipulator, hydraulic fork...

SEARCHER HOOK



HYDRAULIC JIB



GLASS MANIPULATOR



MANUAL JIB



Jekko srl

Via Campardone, 1 - 31014 Colle Umberto (TV) Italy
info@jekko.it - www.jekko-cranes.com