

# SPX1275

**max** 7500 kg

5730 x 1450 x 2040 mm

**max** 26.5 m

**max** 20.0 m

Reduced stabilization area, 7,5 T max capacity, 27,5-metres max working height, 2 T pick & carry: a mini crane with unique features which make it incomparable on the market.



## Technical Information

Dimension	LxWxH	5730 x 1450 x 2040 mm 5730 x 2050 x 2040 mm (EXT TRACKS)
Stab. Area		4600 x 4600 mm

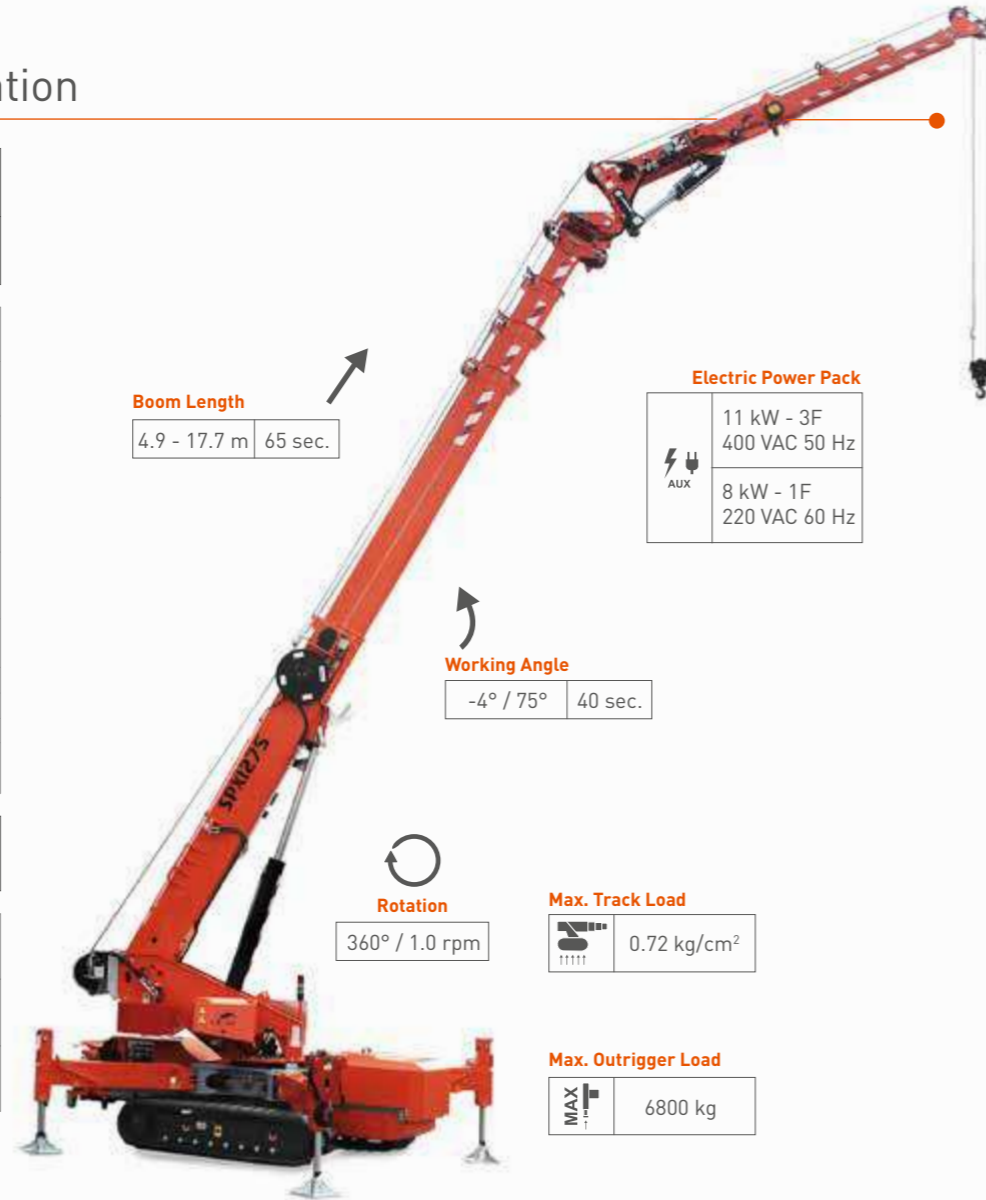
Crane & Options Weights		Kg
	SPX1275CDH-2	6800
	/	1500
	8T-D10	60
	PP400-8D PP220-8D	120
	PP400-11DV	140
	JIB3500G	70
	JIB1500.3HL	670
	JIB1500.1FL	310
	JIB300GR	300

SPX1275CDH-2	Diesel Engine	KUBOTA V1505-E3B	26.2 kW 35.0 Hp
--------------	---------------	------------------	--------------------

Speed		1.6/3.1 km/h
-------	--	--------------

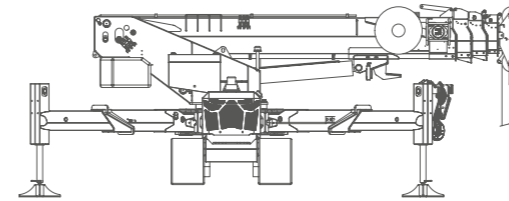
Ext. Tracks Gradability		20°
-------------------------	--	-----

Ext. Tracks		1450-2050 mm
-------------	--	--------------



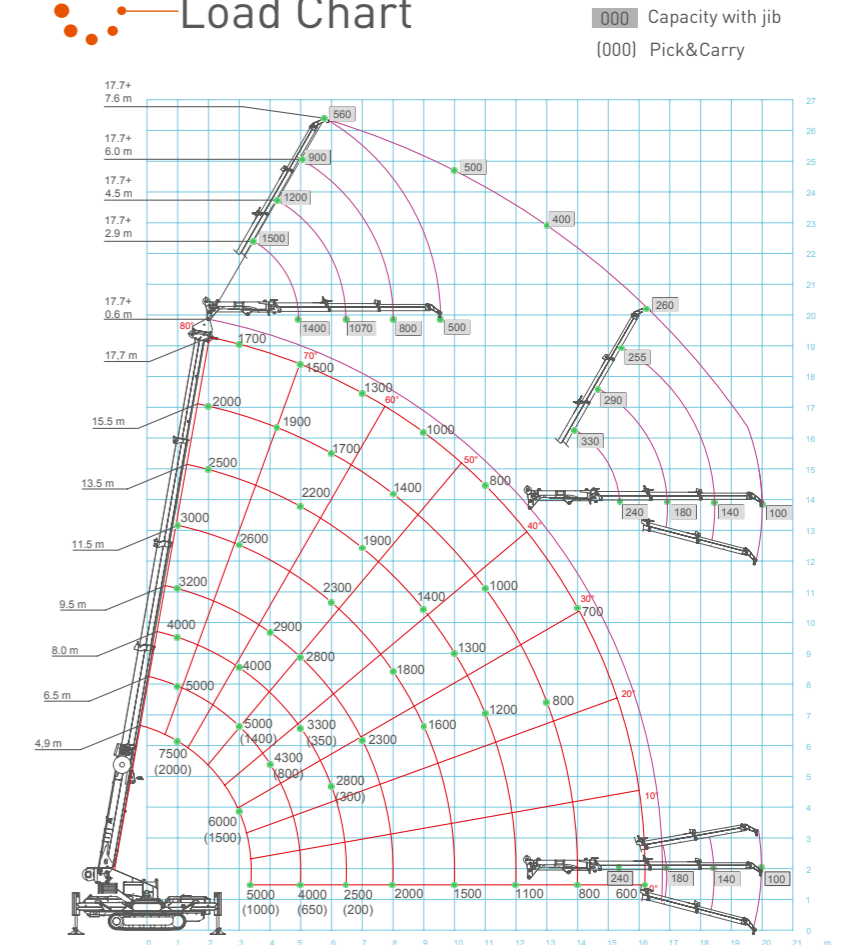
## Winch & Fall Stages

Main Winch	1500 kg 125 m - Ø 10 mm 63,8-115,1 m/min.
------------	---

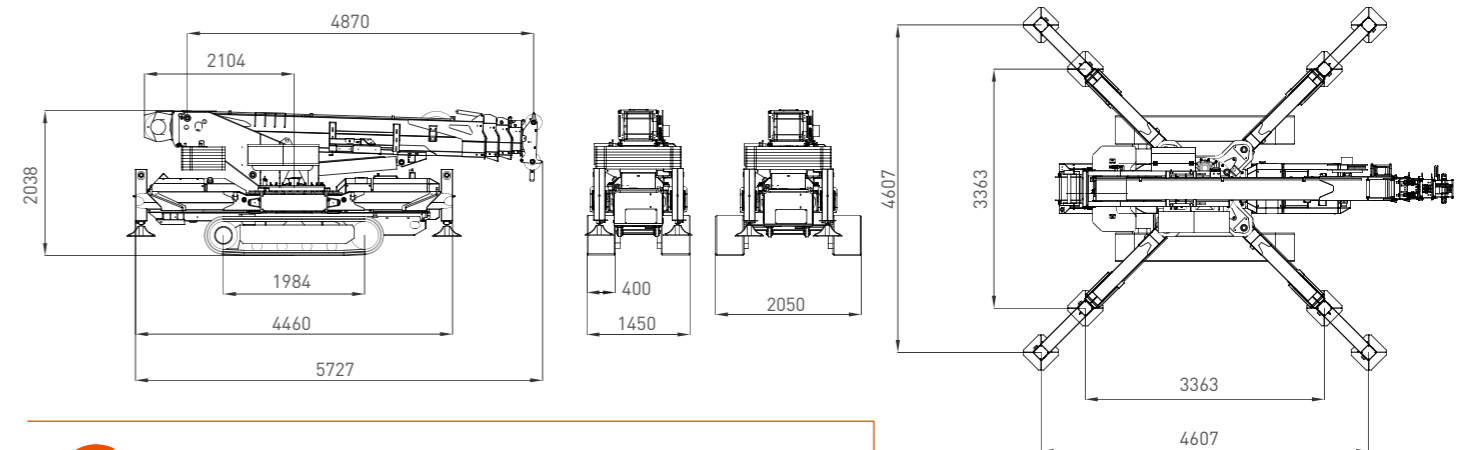


Max. Capacity	Line	Metres
7500 kg	5	-23 m
6000 kg	4	-29 m
4500 kg	3	-37 m
3000 kg	2	-52 m
1500 kg	1	-116 m

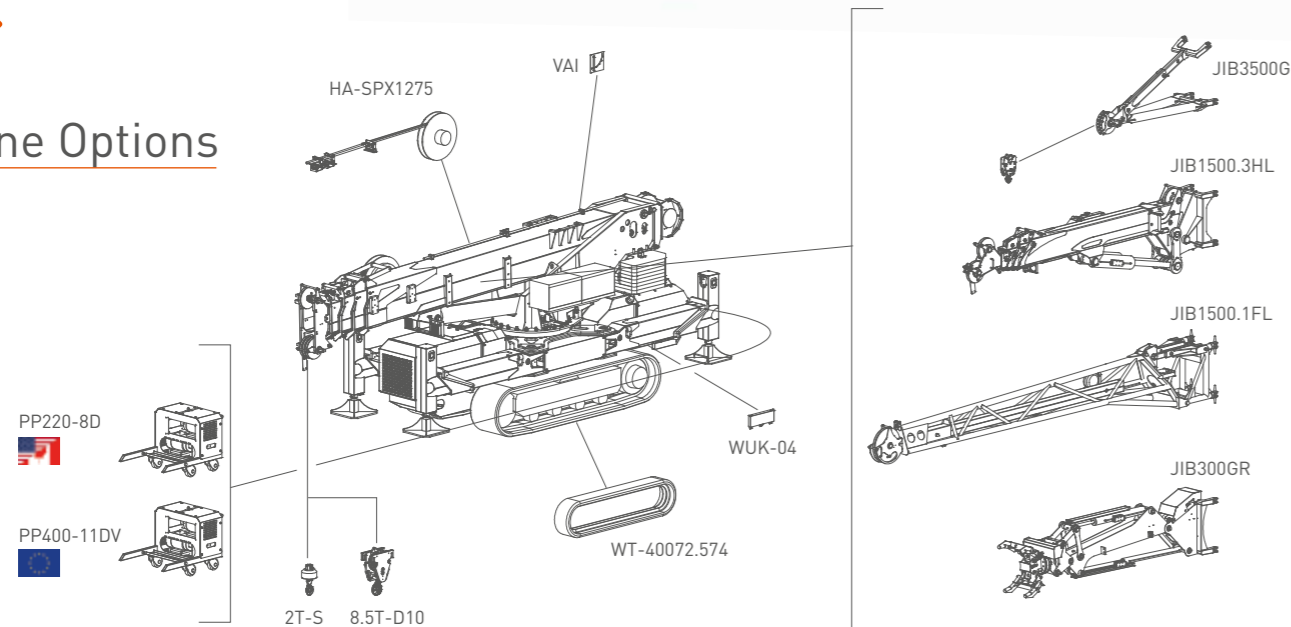
## Load Chart



## Dimensions



## Crane Options



- A2B
- BPI
- CCI
- DTC
- EKT
- GSC
- LMI
- P&C
- PPA
- SCI
- TH
- VW
- RCD
- 2SW
- 2ST

## Tools Configurations

	JIB3500G	JIB1500.FL	JIB1500.3H	JIB300GR
	3500 kg	1500 kg	1500 kg	300 kg
	1600 kg @ 20.5 m	900 kg @ 26 m	560 kg @ 26.5 m	300 kg @ 22 m
	400 kg @ 17.5 m	200 kg @ 16 m	100 kg @ 20 m	300 kg @ 16 m

Based on SPX1275CDH-2

MINICRANE