



JF30 · JF40

Product Catalog

JF
Series

JF30

max 995 kg (CE)

2180 x 780 x 1750 mm

max 8 m

max 6.8 m

Technical Information

Load Chart

N&P: manual extensions

Dimension	L x W x H	2180 x 780 x 1750 mm
Stab. Area		3800 X 3800 mm

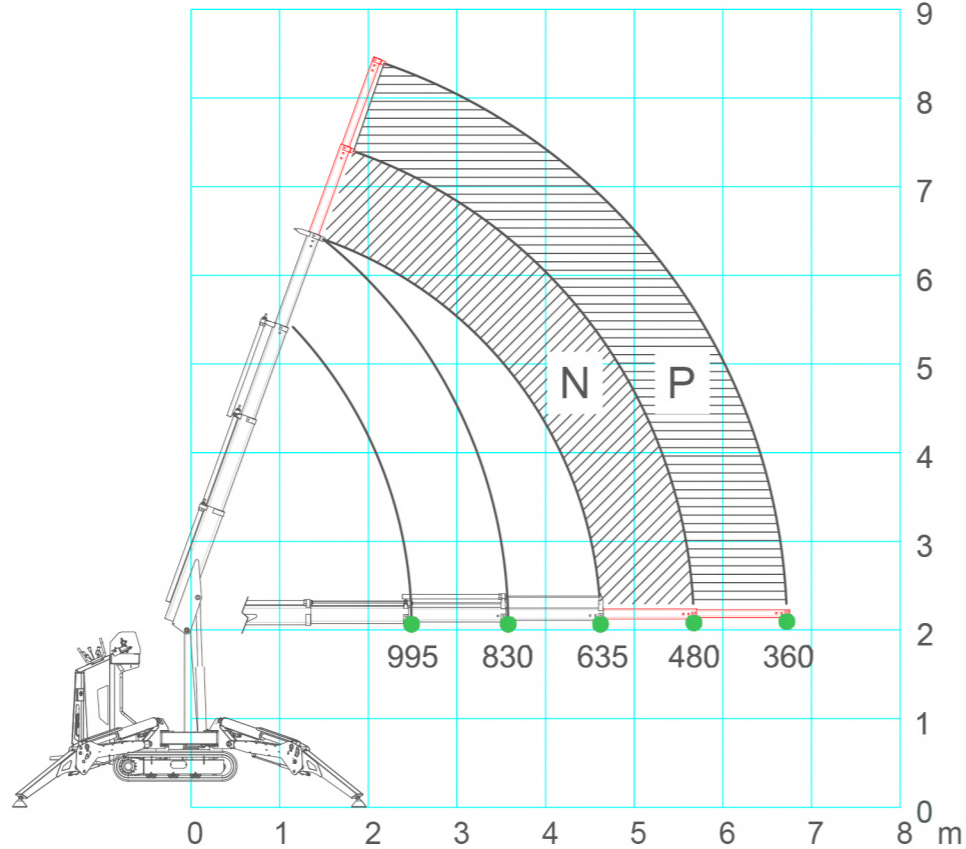
Crane & Options Weights		Kg
	JF30	1440
	/	
	TF0500	12
	PP400-4DX PP220-4DX PP220-2DX	40
	JIB N	13
	JIB P	10

Winch		500 kg 36 m - Ø 6 mm 27-35 m/min
-------	--	--

JF30	Petrol Engine	YAMAHA MZ 360	7.6 kW 10.4 Hp
------	---------------	---------------	-------------------

Speed		2.6 km/h
-------	--	----------

Gradeability		25°
--------------	--	-----



Electric Power Pack

	400V 3-AC 4kW / 5.3 HP
	230V AC 2.2kW / 2.9 HP

Max. Track Load

	0.32 kg/cm ²
--	-------------------------

Max. Outrigger Load

	1050 kg
--	---------

Boom Length

1.5 - 4.7 m	30 sec.
-------------	---------

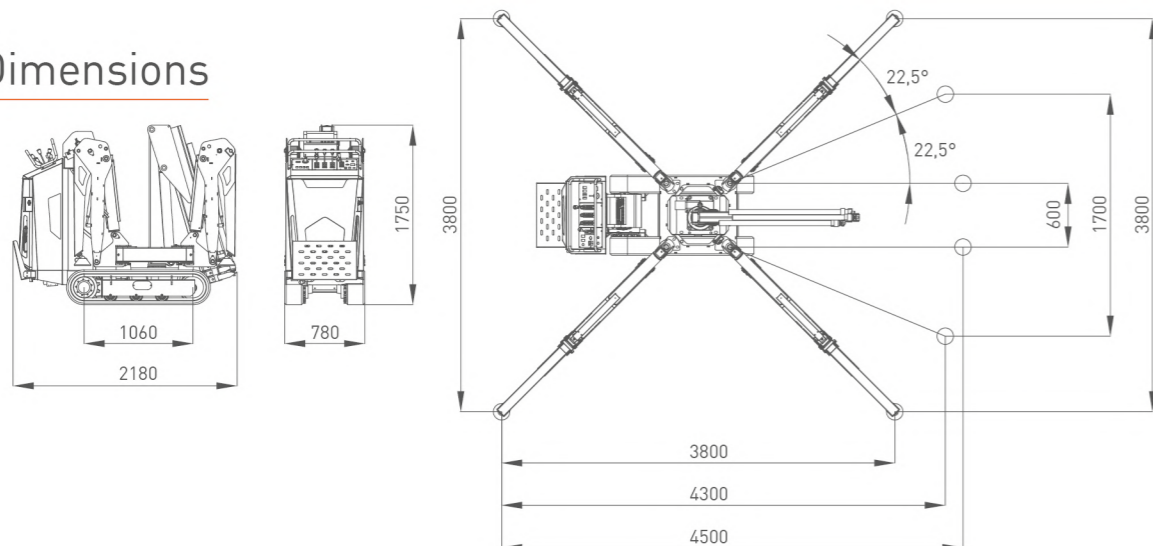
Working Angle

0° / 70°	14 sec.
----------	---------

Rotation

325° / 30 sec.

Dimensions



JF40

max 2500 kg

2380 x 780 x 1820 mm

max 8.1m

max 6.8 m



Technical Information

Load Chart

P: manual extension

Dimension	L x W x H	2380 x 780 x 1820 mm
Stab. Area		4550 X 4550 mm

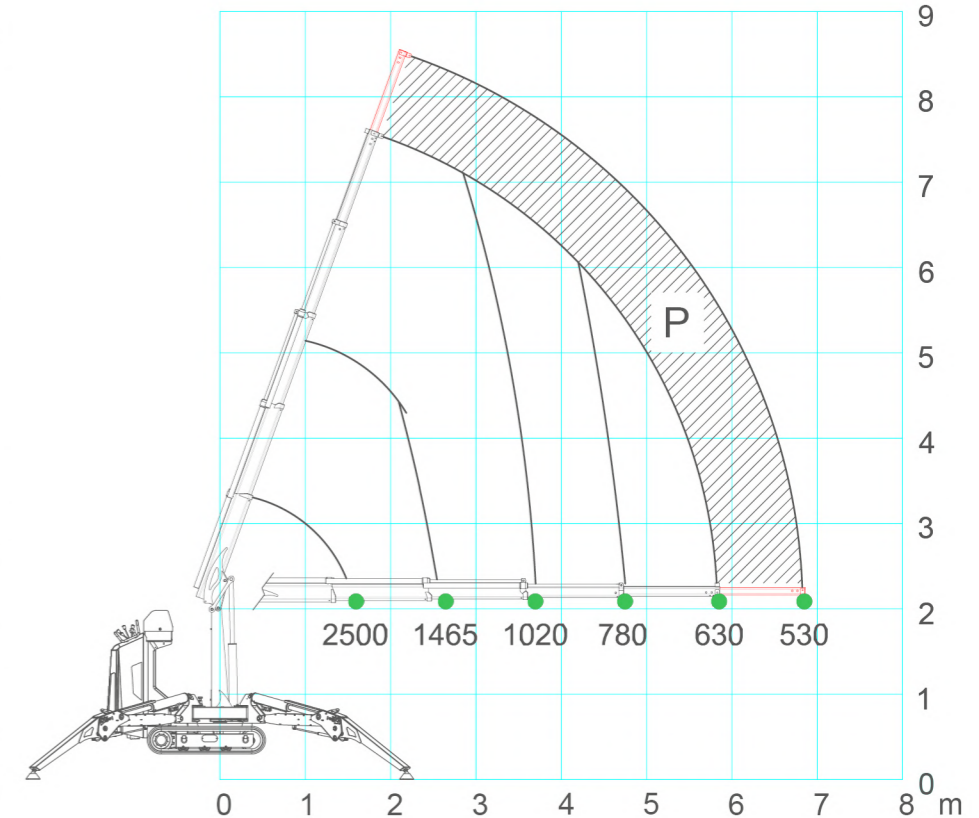
Crane & Options Weights		Kg
	JF40	1500
	/	
	TF0500	12
	PP400-4DX PP220-4DX PP220-2DX	40
	JIB P	9

Winch		600 kg 36 m - Ø 6 mm 27-33 m/min.
-------	--	---

JF40	Petrol Engine	YAMAHA MZ 360	7.6 kW 10.4 Hp
------	---------------	---------------	-------------------

Speed		2.4 km/h
-------	--	----------

Gradeability		25°
--------------	--	-----



Electric Power Pack

	400V 3-AC 4kW / 5.3 HP
	230V AC 2.2kW / 2.9 HP

Max. Track Load

	0.42 kg/cm ²
--	-------------------------

Max. Outrigger Load

	1530 kg
--	---------

Boom Length

1.6 - 5.8 m	30 sec.
-------------	---------

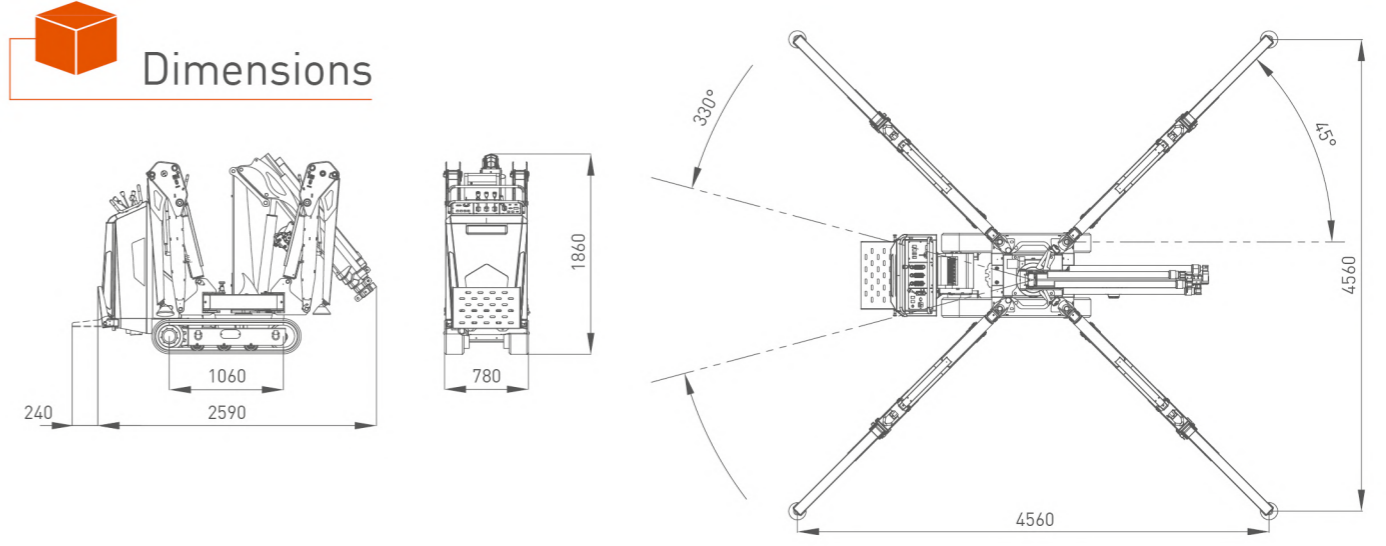
Working Angle

0° / 70°	14 sec.
----------	---------

Rotation

330° / 30 sec.

Dimensions



Main Features

JF30

CHARACTERISTICS

- ✓ Walvoil monobloc distributor bank. Immediate stop device and pressure gauge
- ✓ Rotation with hydraulic motor and pinion mechanically limited to 325°
- ✓ Lift limiter on the winch
- ✓ Driver's footboard
- ✓ Adjustable outrigger positions
- ✓ Petrol engine 7.6 kW



JF40

CHARACTERISTICS

- ✓ Walvoil monobloc distributor bank. Immediate stop device and pressure gauge
- ✓ Rotation with hydraulic motor and pinion mechanically limited to 330°
- ✓ Load moment limiter
- ✓ Crane with linkage
- ✓ Driver's footboard
- ✓ Adjustable outrigger positions
- ✓ Petrol engine 7.6 kW



LINKAGE

Only on JF40



Jekko srl

Via Campardone, 1 - 31014 Colle Umberto (TV) Italy
info@jekko.it - www.jekko-cranes.com